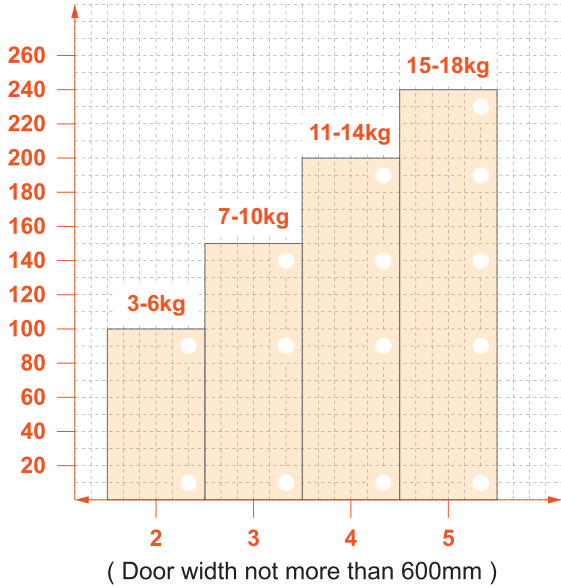
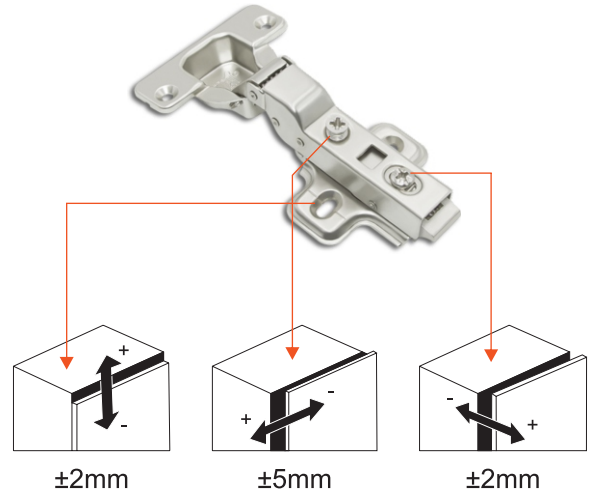


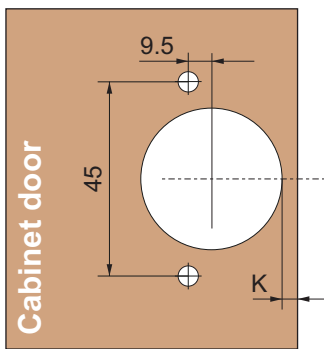
• **Hinges Per Door**



• **Door Adjustment**

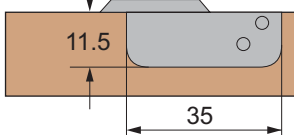


• **Drilling Centers**



D	H	K	3	4	5	6	7
0			7	8	9	10	11
3			4	5	6	7	8

H: Mounting plate height K: Distance from door edge to the edge of cup drilling D: Door overlay on side panel



• **Cabinet Side Panel**

