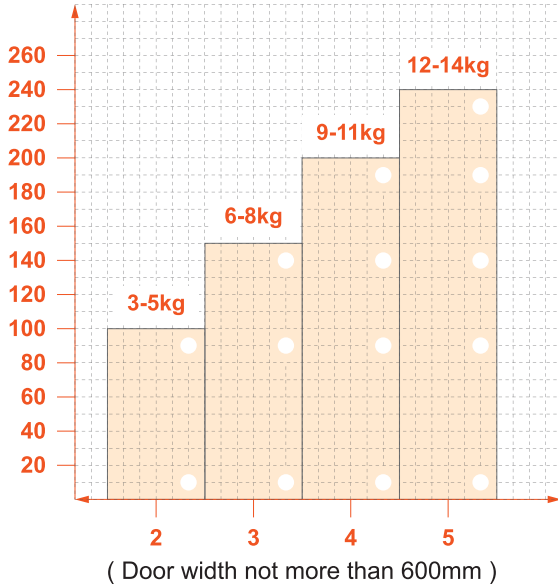
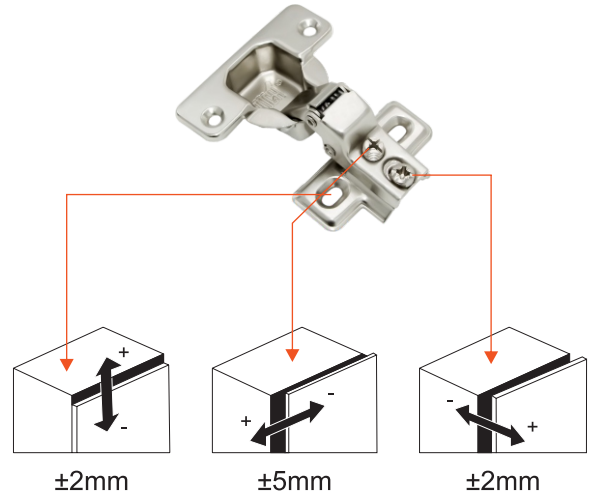


**Instructions & Diagrams**

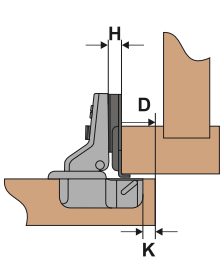
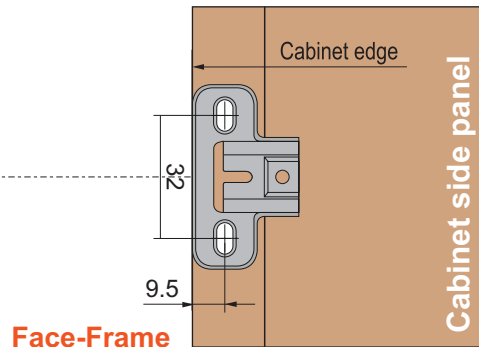
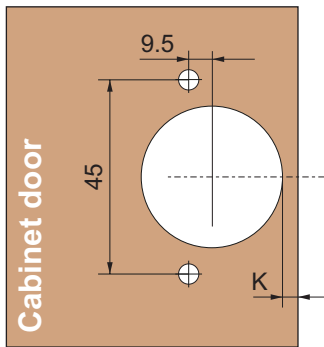
• **Hinges Per Door**



• **Door Adjustment**



• **Drilling Centers**



D	H	K	3	4	5	6	7
0			12	13	14	15	16

H: Mounting plate height K: Distance from door edge to the edge of cup drilling D: Door overlay on side panel

